

ABOUT US



D&A International Patent Drawings provides patent drafting services. We represent clients globally, ranging from individual Inventors to Patent Agents, Patent Attorneys, and Patent Law Firms.

We specialize in creating compliant patent drawings for international patent offices including:

United States Patent & Trademark Office (USPTO)

European Patent office (EPO)

World Intellectual Property Organization (WIPO)

United Kingdom Intellectual Property Office (IPO)

Spanish Patent Office (OEPM)

We have extensive experience generating high-quality, error-free, compliant patent drawings in all technology areas.

D&A International Patent Drawings provides the following intellectual & industrial services:

- Compliant Drawings for Utility Patent Applications
- Compliant Drawings for Design Patent Applications
- Trademark Drawings
- 3D Modeling using SketchUp
- Replacement Drawings
- Industrial Illustrations for Technical Manuals

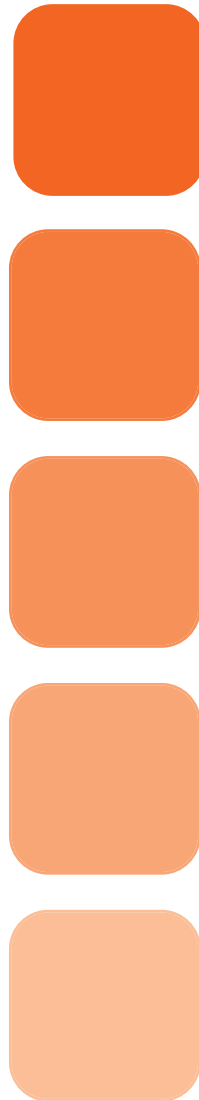


WORK

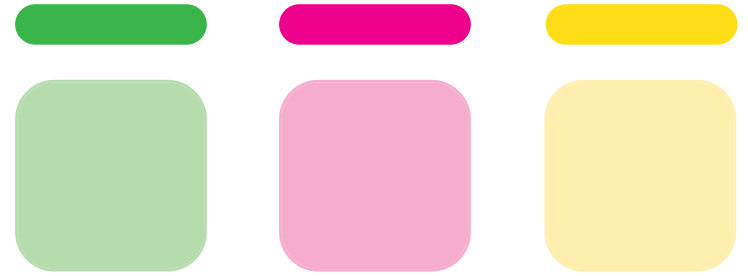
D&A International Patent Drawings has drafted numerous quality patent drawings to support patent specifications and claims for clients worldwide.

We have selected a portfolio of some recent cases, organized them by type of drawing, and provided links to full-text copies of the associated patents that you can view or print in Adobe Acrobat PDF format.

In addition to generating compliant patent drawings, our firm often creates a 3D model that can be viewed using Google SketchUp. This made is provided at no-cost to the client and can be used to generate additional supporting drawings and documentation.



TESTIMONIALS



We have been using D&A International Patent Drawings since 2009 at our patent prosecution firm and we are so impressed with the professionalism, quality, and speed of service they consistently provide in all our cases. We have used other patent drawing firms and professionals before but we have never experienced the level of satisfaction we currently enjoy with D&A Patent Drawings.

As the examples of their work clearly illustrate, the drawing sheets they generate exhibit a superior level of draftsmanship compared with anyone in the industry. Even more impressive is that they are able to turn around the drawings extremely fast (24 hours in most cases) and in compliance for different patent offices (e.g., USPTO, EPO, etc). Finally, they are able to generate excellent illustrations starting from a very conceptual source drawing (e.g., a simple sketch, a block diagram, a picture, or even a general description). In summary, this firm has by far our strongest recommendation in the industry. They are simply the best.

Dr. Mateo Aboy,
Managing Director & Patent Agent,
Aboy&Associates,
Portland, Oregon

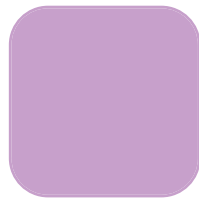


PRICING

D&A International Patent Drawings pricing follows as a project-based flat fee structure based on the estimated number of hours required to complete the project. The price estimate for a particular project is provided free - of - charge. Below you can find some general guidelines regarding our pricing:

- Simple Case: from \$199→
- Medium Case: from \$299→
- Medium-Complex Case: from \$399→
- Complex Case: from \$699→
- Average Time-to-Completion: <7 days
- Urgent Fee (<48 h.): corresponding fee + \$199 + 10% corresponding fee

The portfolio of sample work provides examples of our drawings.



PROCESS

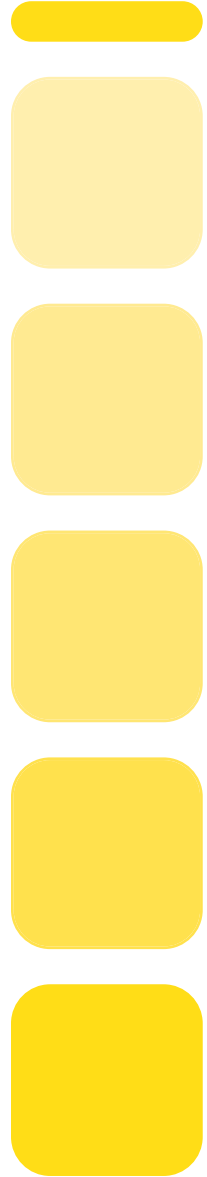
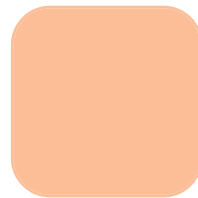
Step 1- Send a case inquiry to projects@dapatents.com including: 1) the project due date, 2) any budget constraints, 3) the noncompliant drawings and attachments (hand drawings, pictures, CAD, engineering drawings, etc), 4) any other explanatory information or special requests, and 5) your case reference (i.e., Docket No.) to be used in future communications and invoices.

Step 2- You will receive an estimate within a few hours (maximum 24 hours) and the expected delivery date.

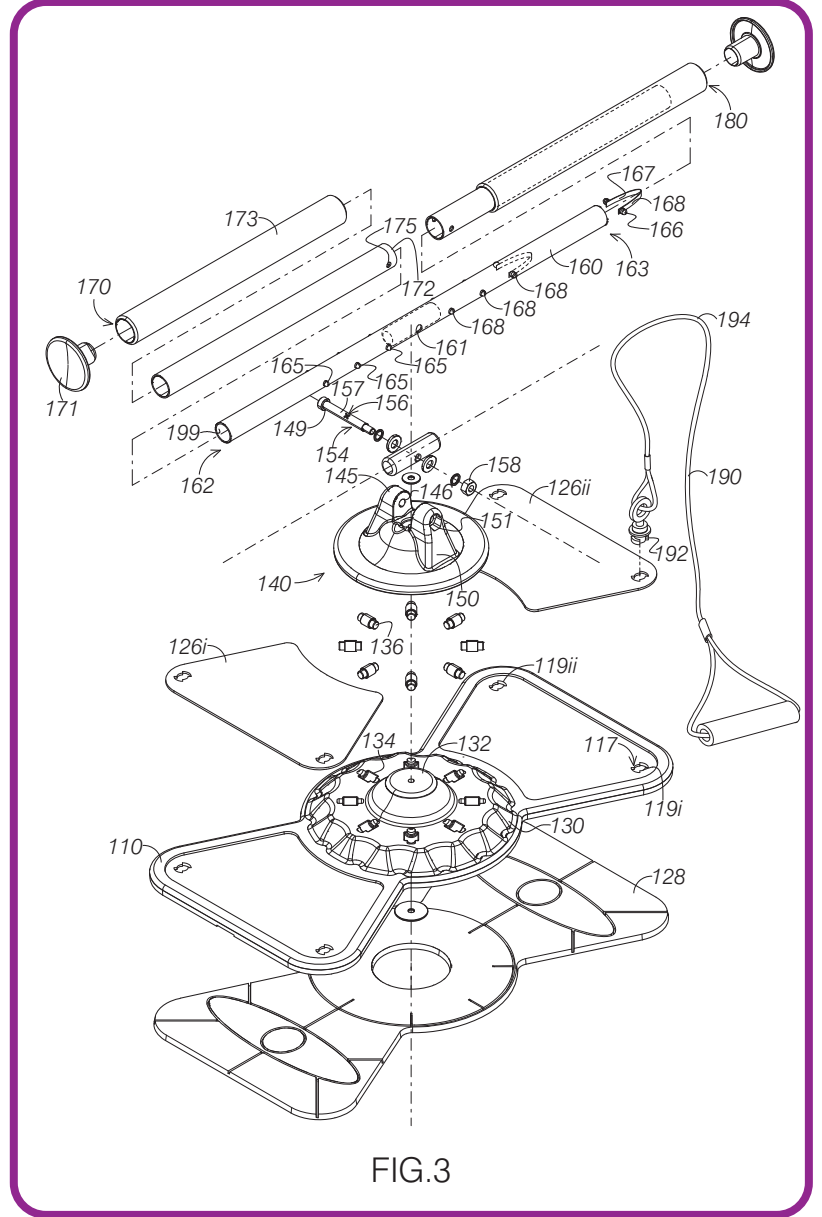
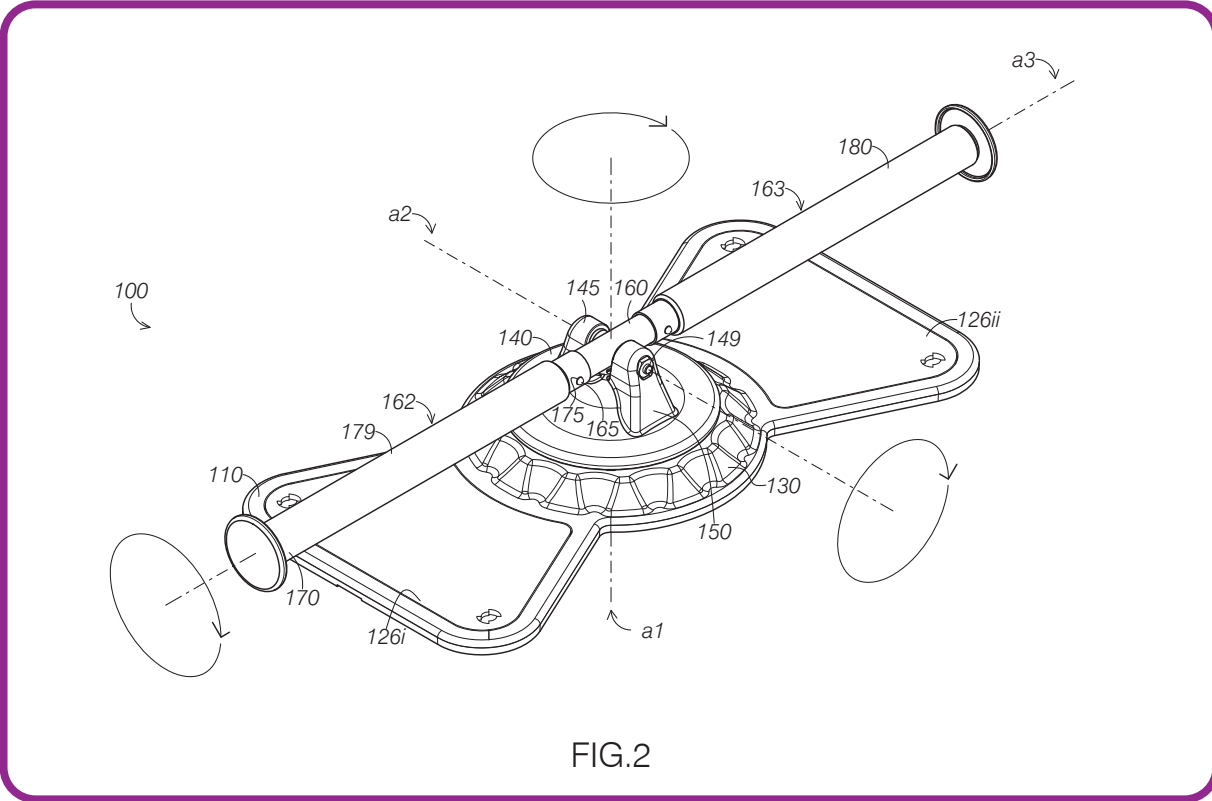
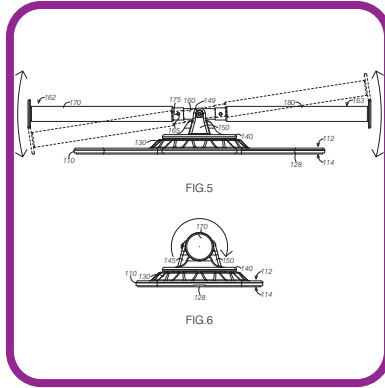
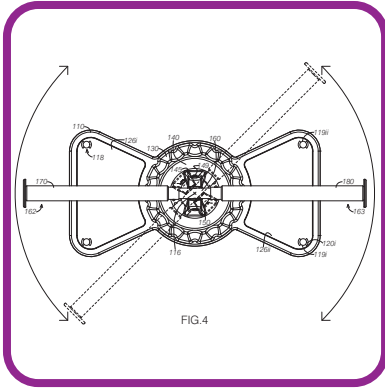
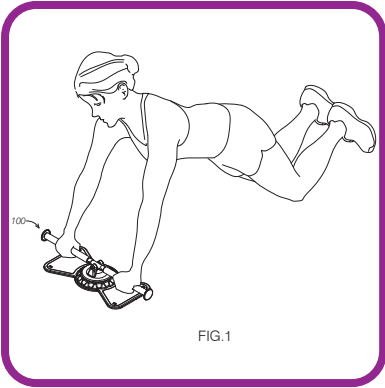
Step 3- Send a case request with the invoicing instructions and any further details if the estimate is approved. Please include your case reference number (i.e., your Docket No.) in the email subject line.

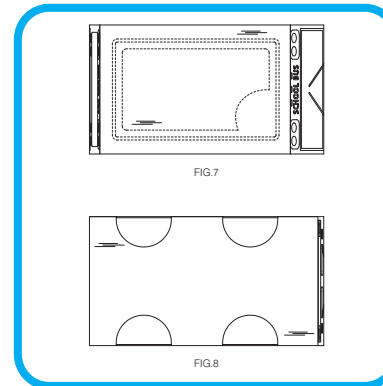
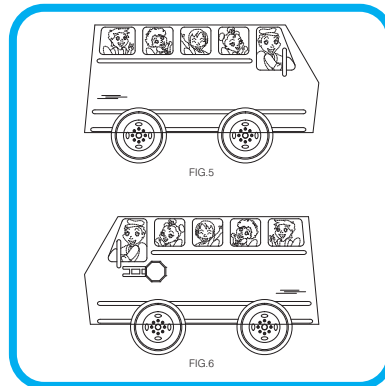
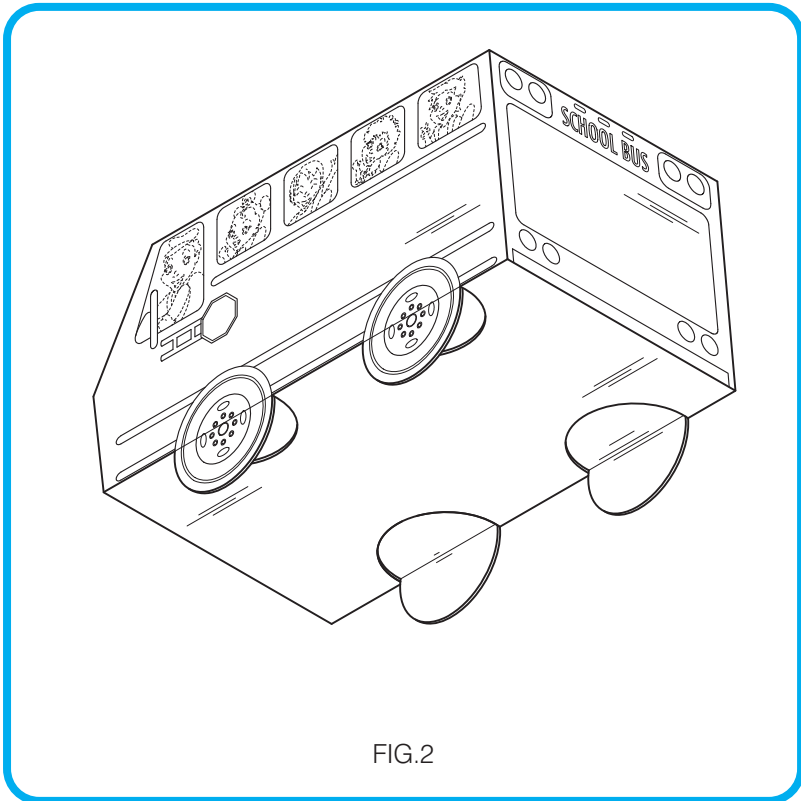
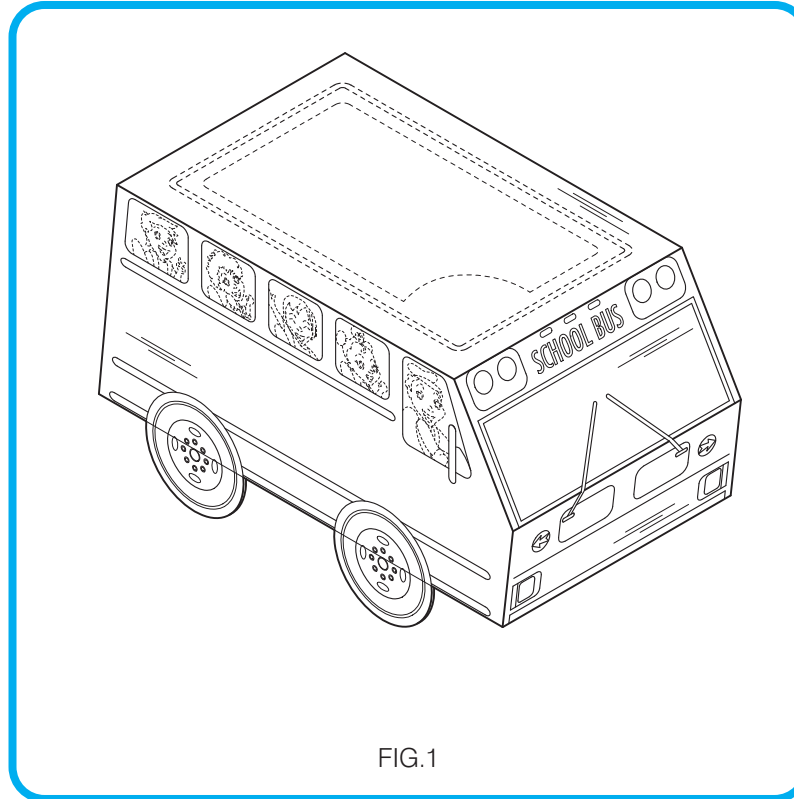
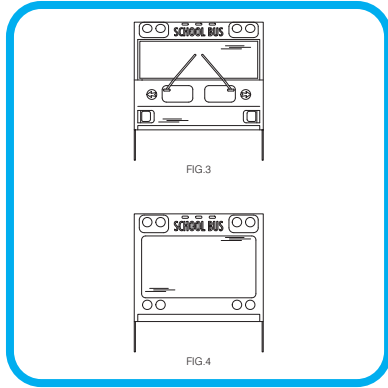
Step 4- You will receive the drawing sheets for your review and approval by the delivery date. If any changes are requested, these should be sent as soon as possible in order to meet the project due date.

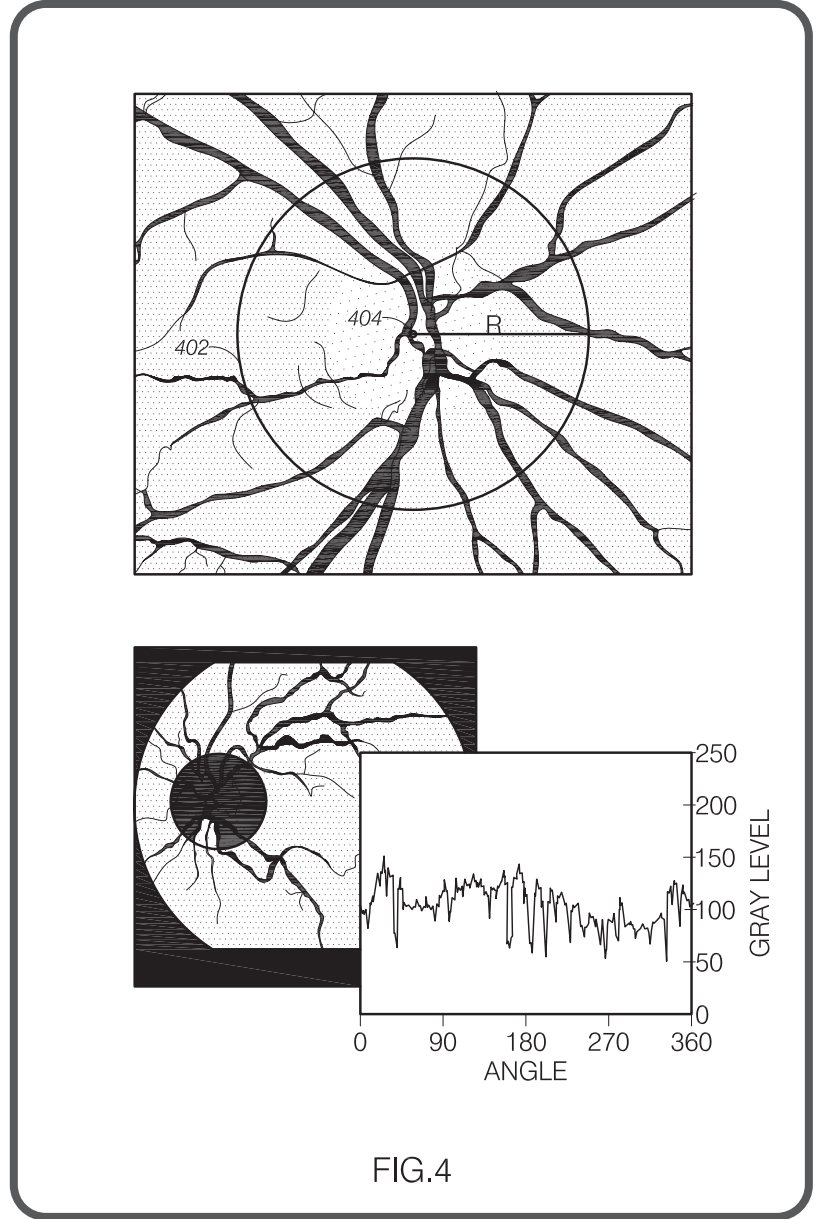
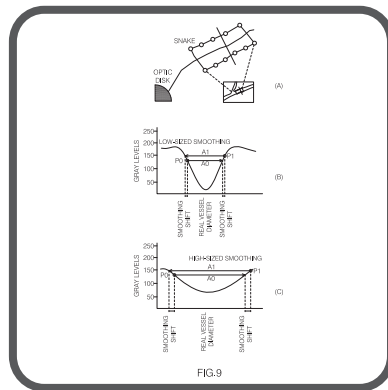
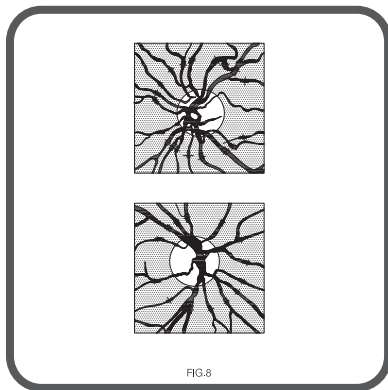
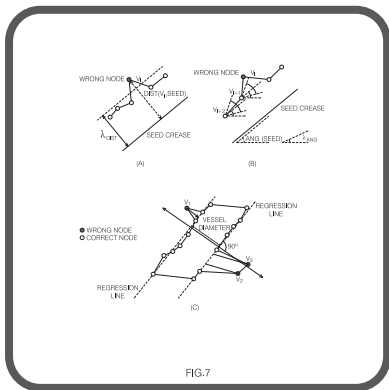
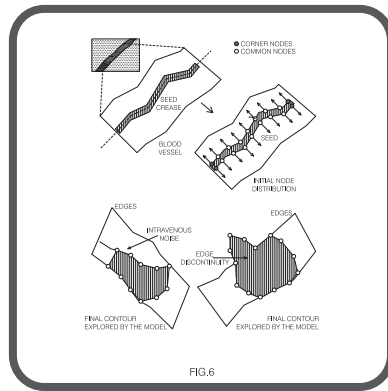
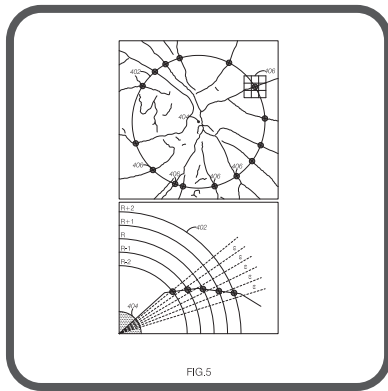
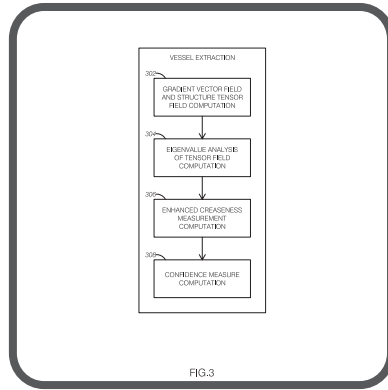
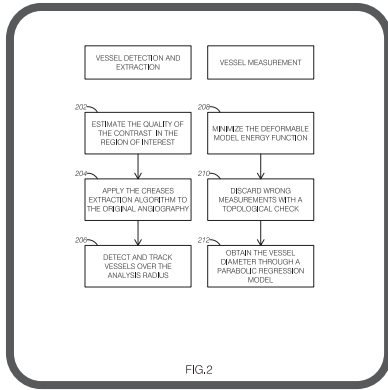
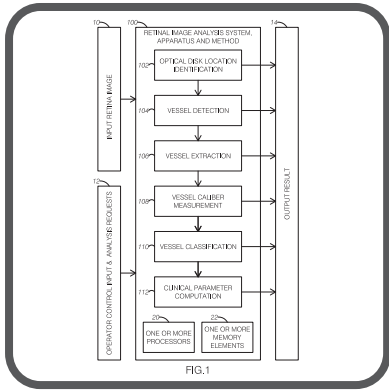
Step 5- You will receive the NET 30 invoice for the case upon your final approval. drawings.



1 multi-use training apparatuses







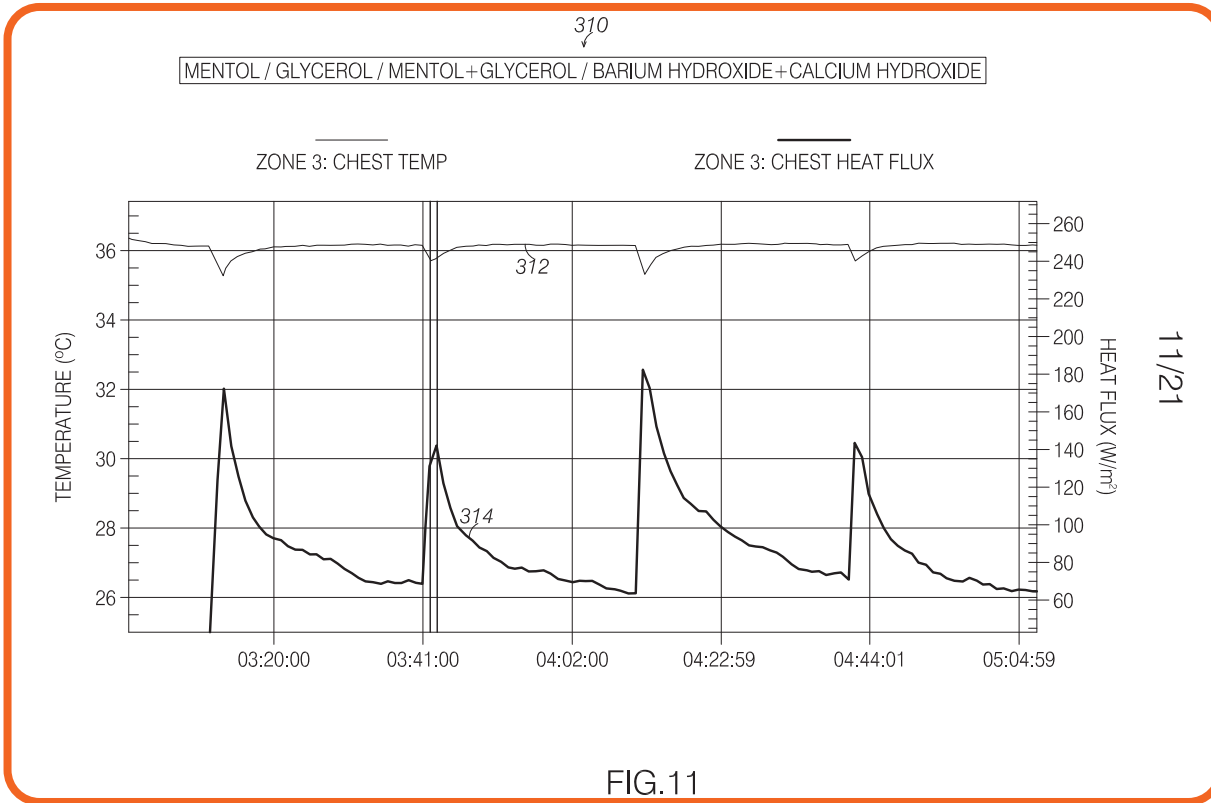


FIG.11

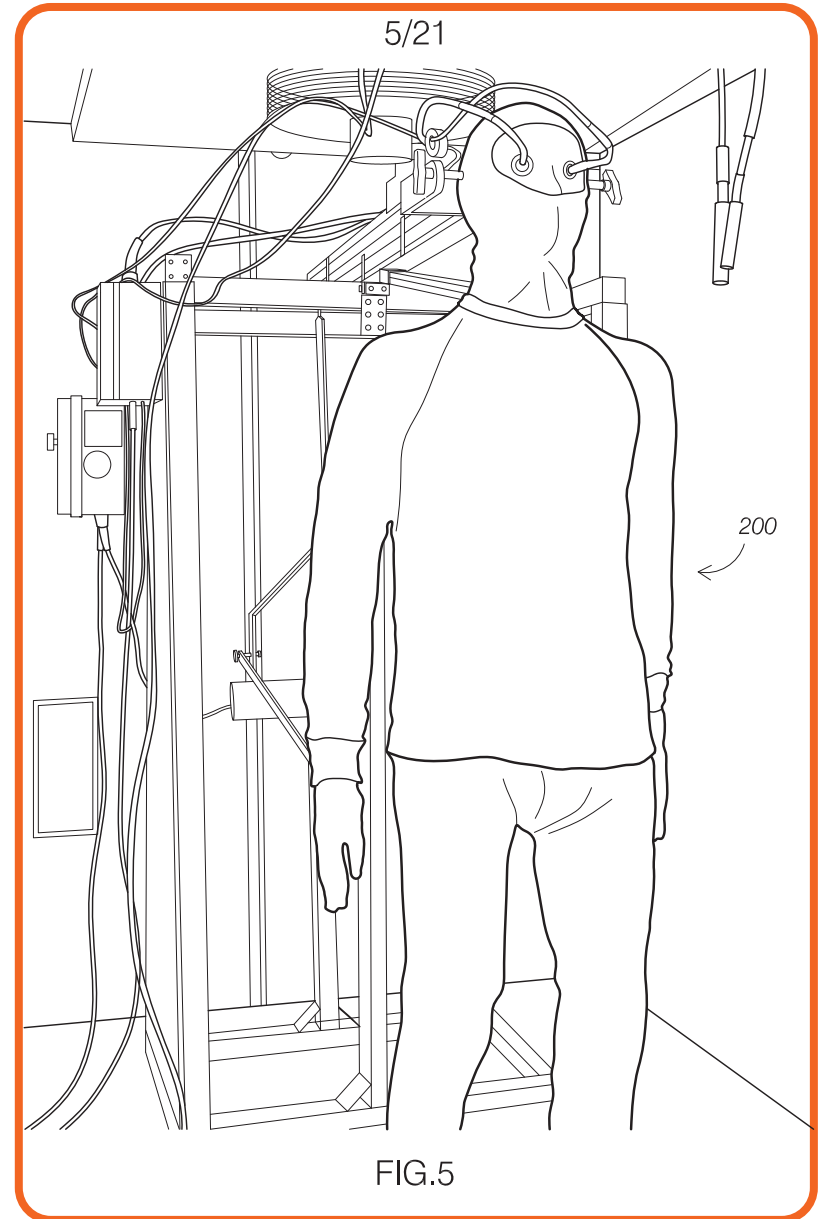
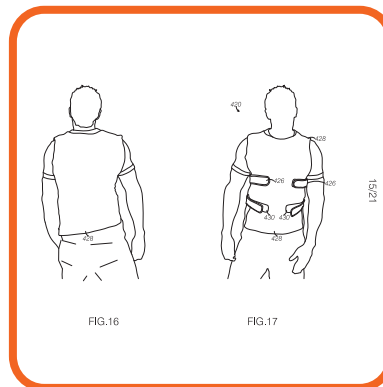
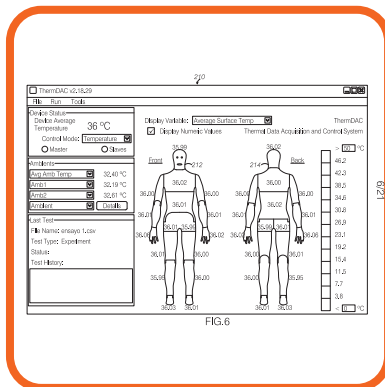
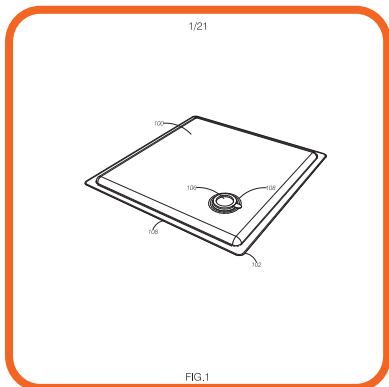


FIG.5



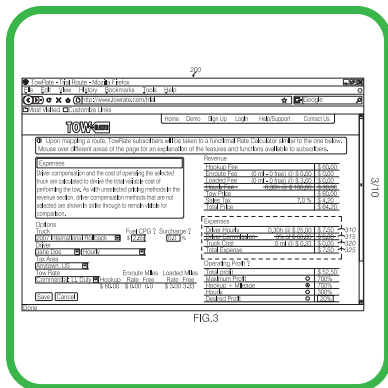


FIG.3

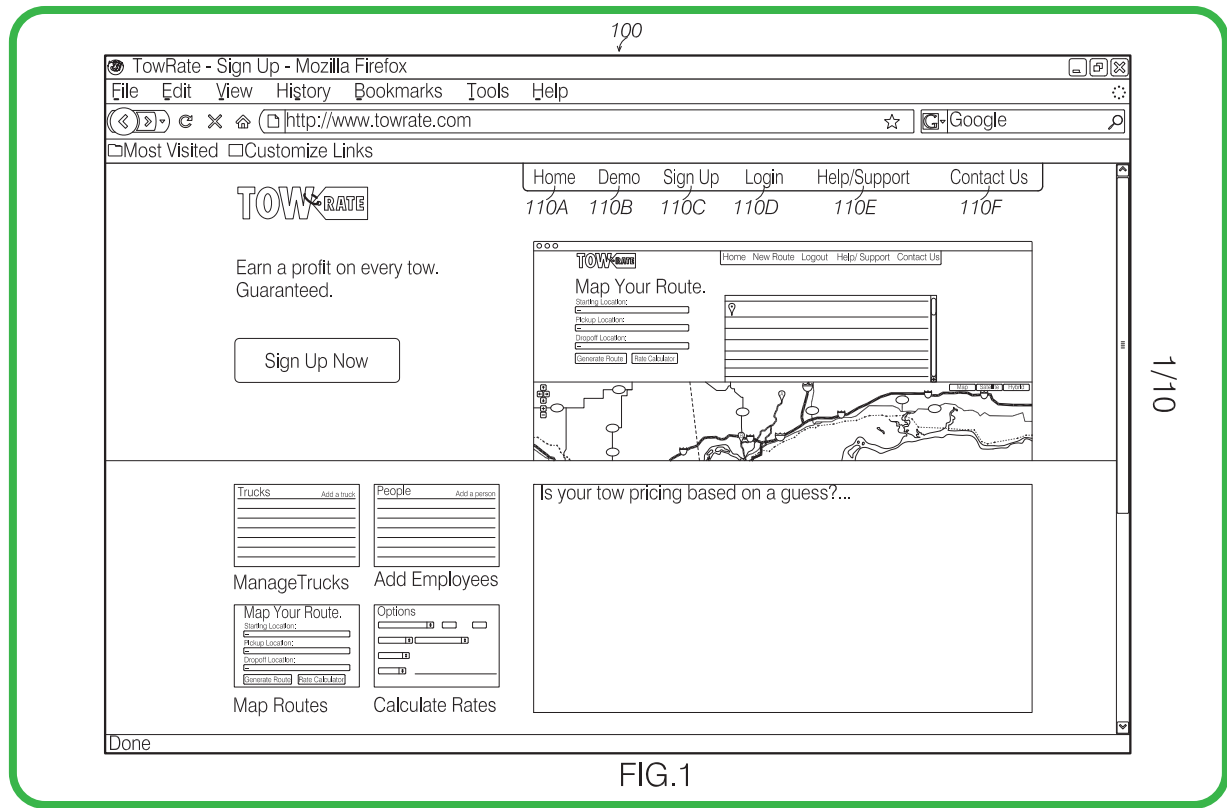


FIG.1

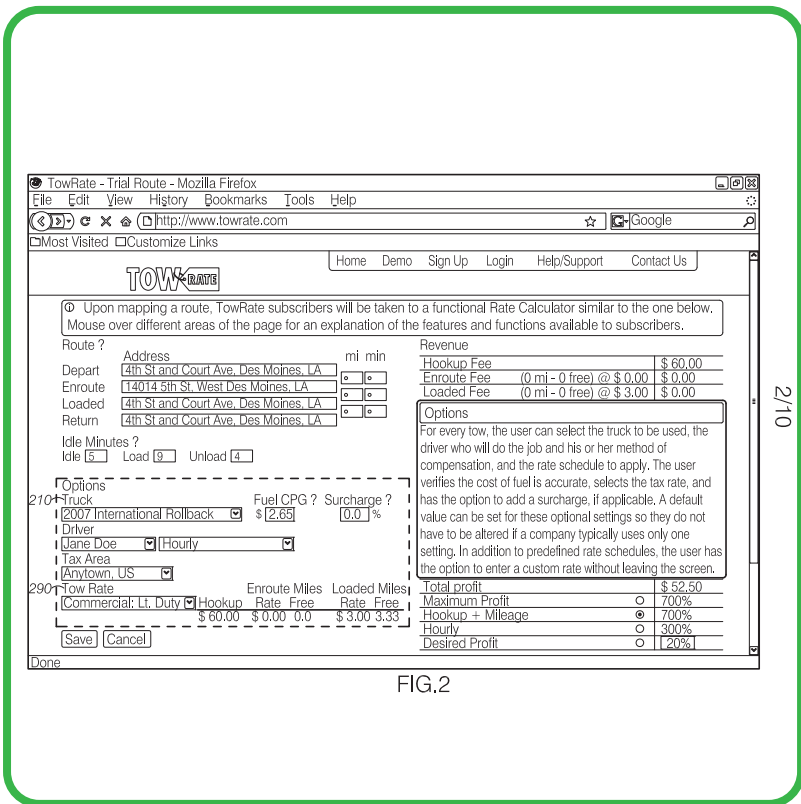


FIG.2

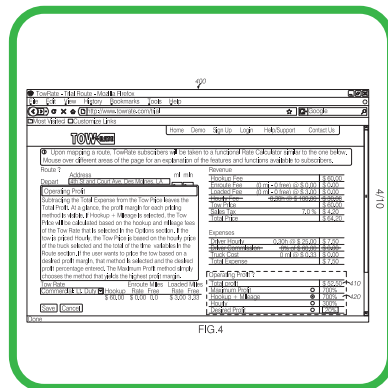


FIG.4

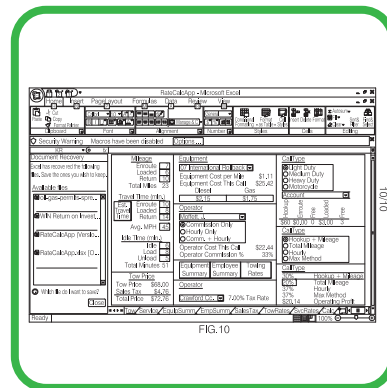
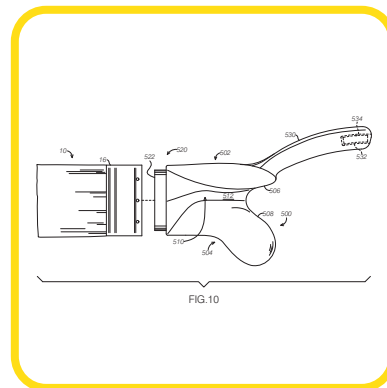
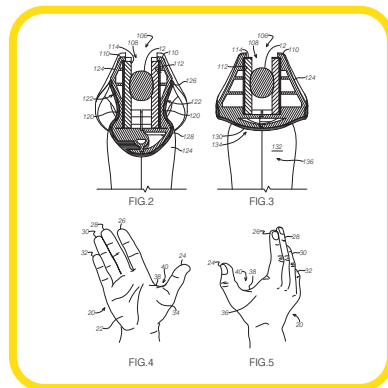
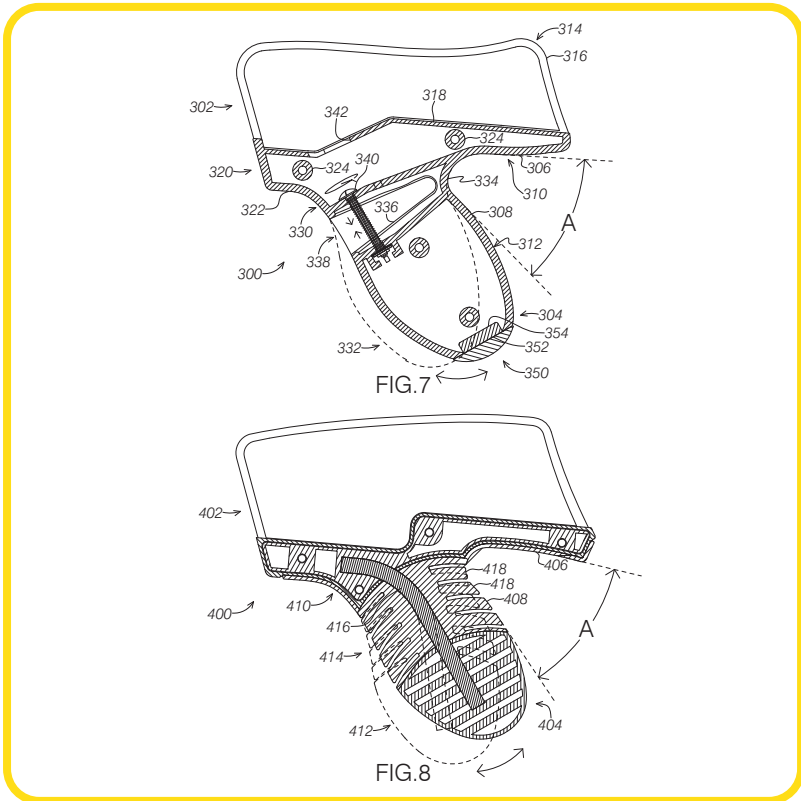
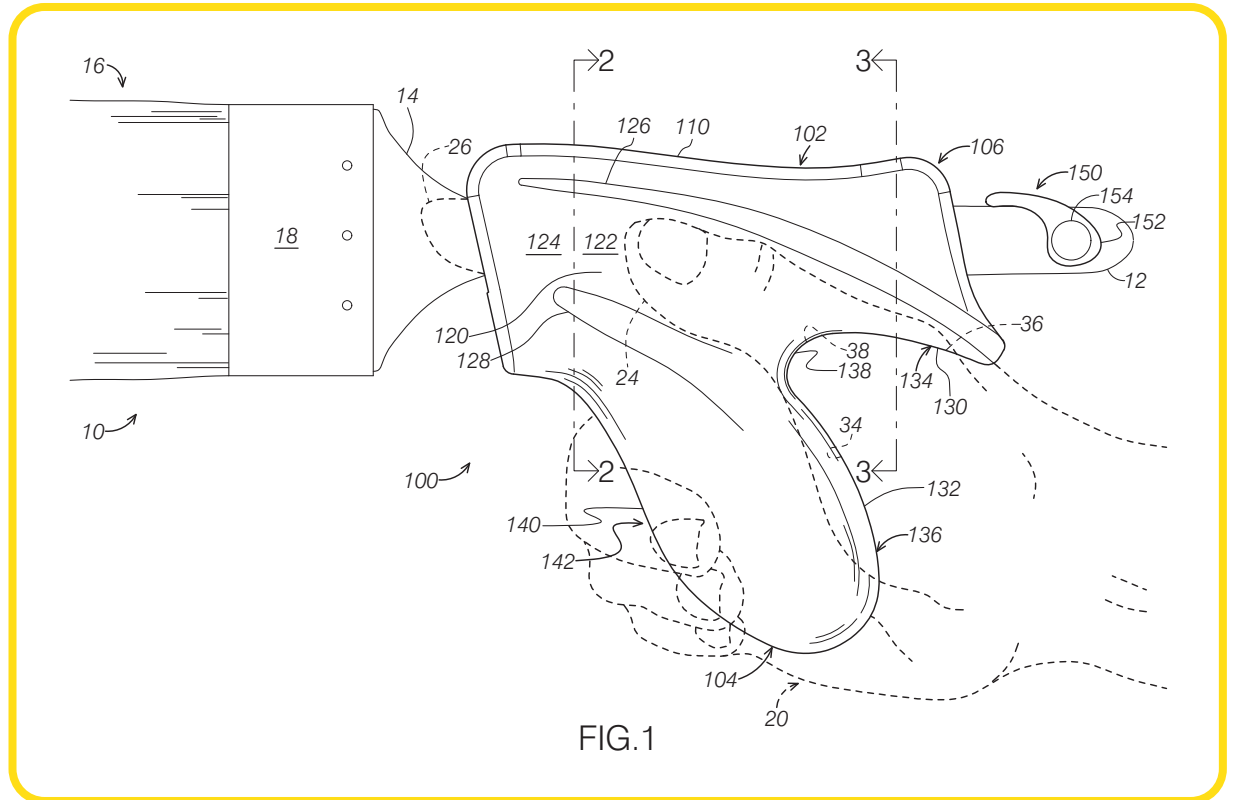
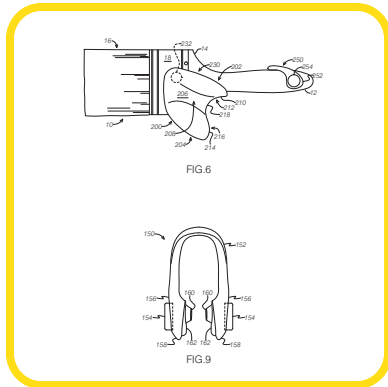


FIG.10





D&A
INTERNATIONAL
PATENT DRAWINGS

projects@dapatents.com
www.dapatents.com